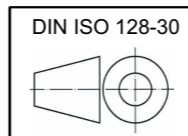
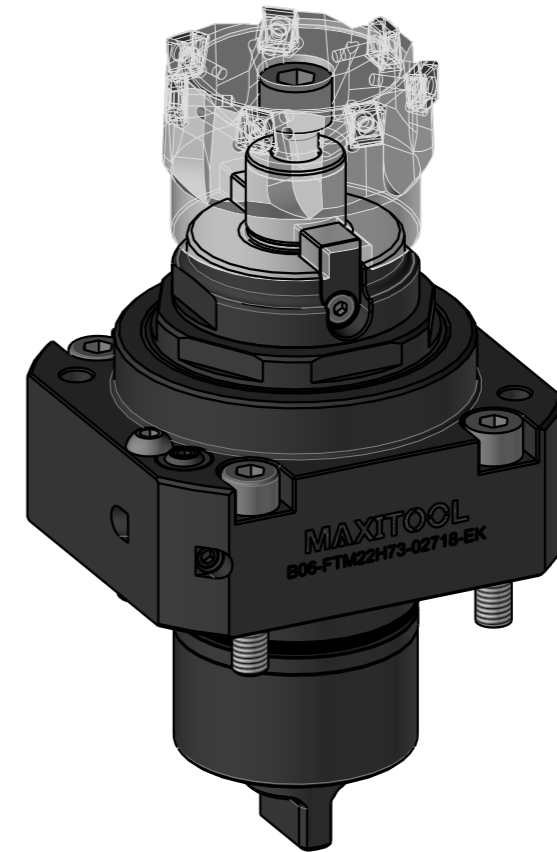
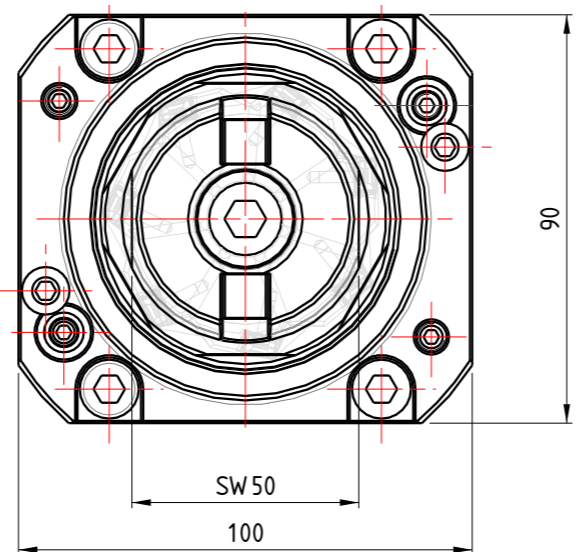


EXTERNAL COOLING (2x)



Weight  
4,11kg

Name  
BMT54 axial milling toolholder  
Item number  
B06-FTM22H73-02718-EK

**MAXITool**