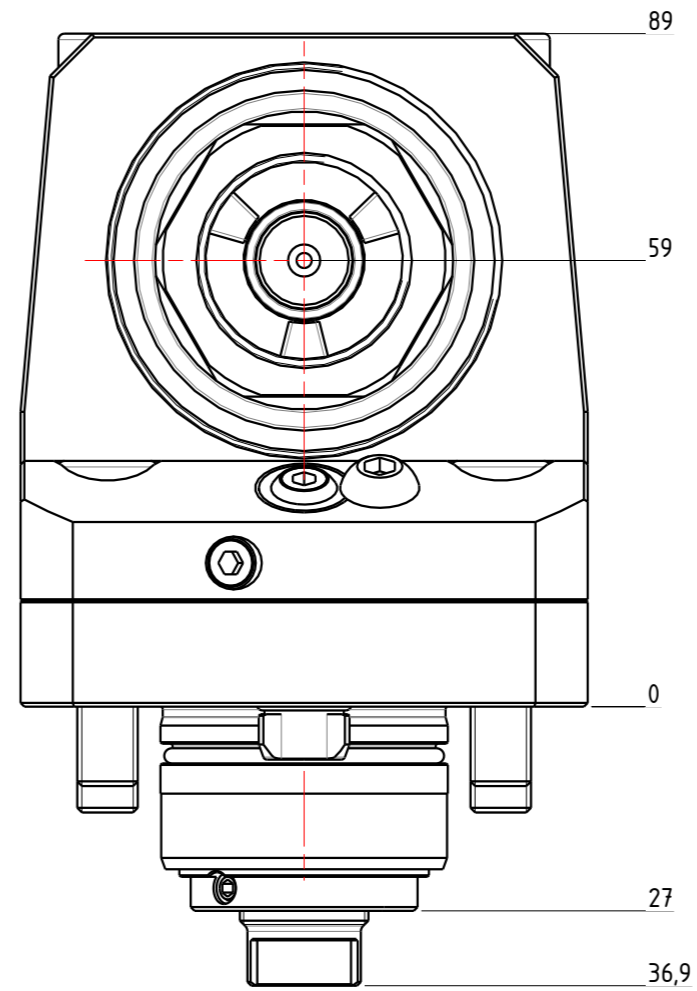
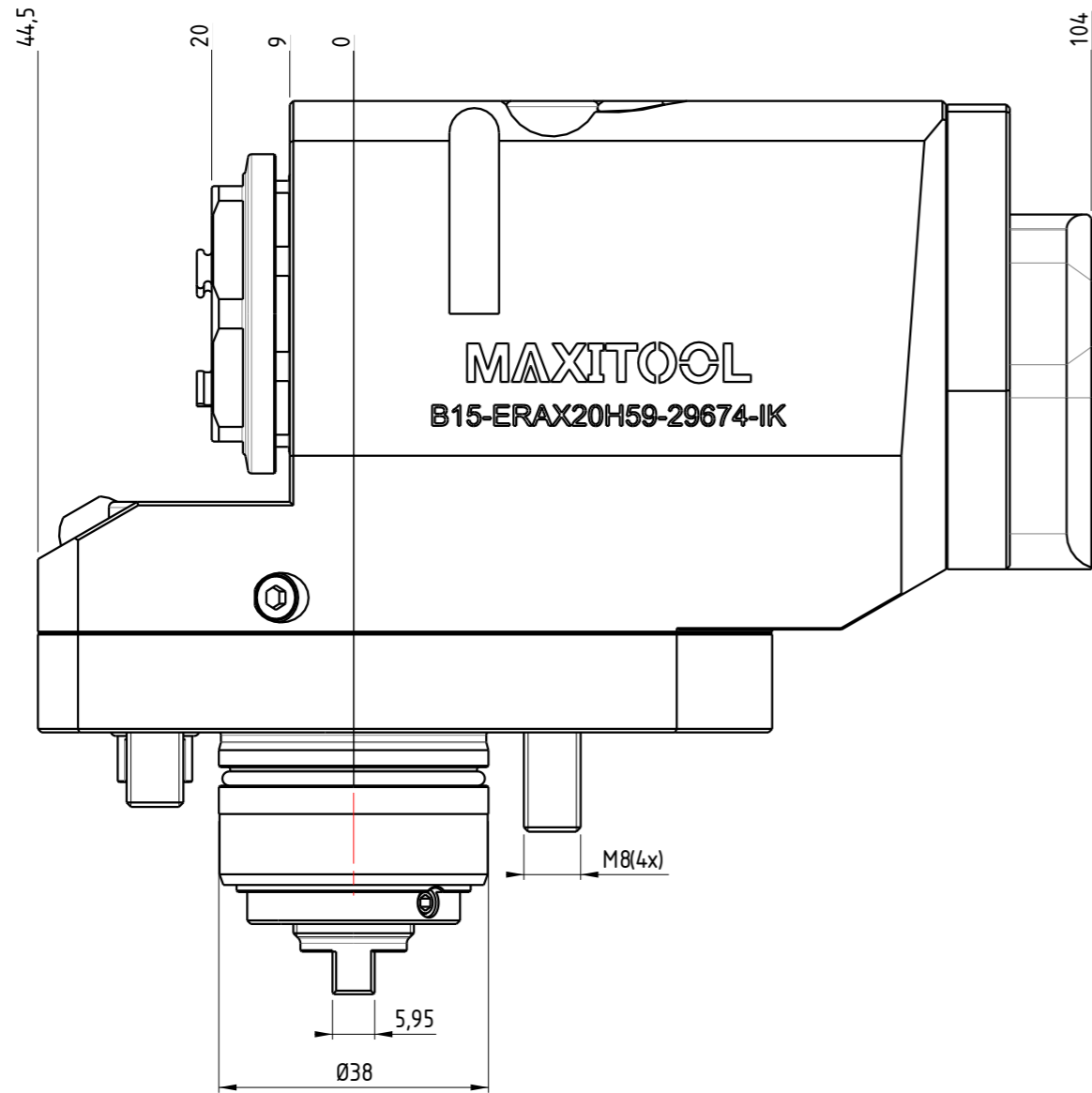
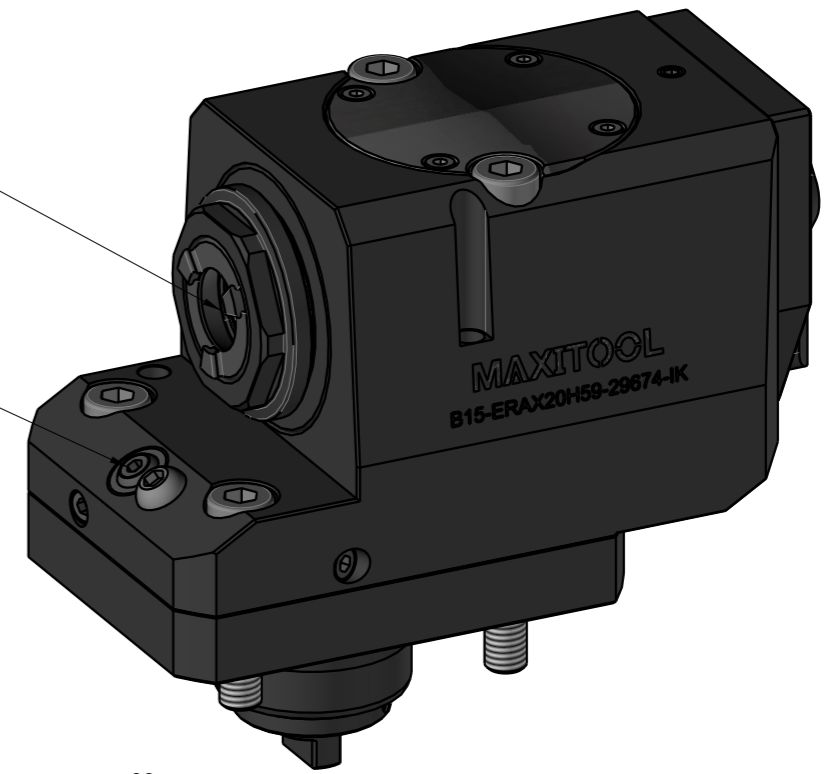


Internal cooling

External cooling



DIN ISO 128-30



Weight

6,37kg

Name

Radial toolholder

Item number

B15-ERAX20H59-29674-IK

MAXITool